

35/40/45D-9S 50D-9SA

Diesel Counterbalance Trucks

MOVING YOU FURTHER

HYUNDAI HEAVY INDUSTRIES



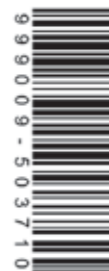
■ Some of the photos may include optional equipment.

HYUNDAI FORKLIFT
HEAVY INDUSTRIES CO.,LTD.

Head Office (Sales Office)
14th FL., HYUNDAI BLDG. 140-2, KYE-DONG, JONGNO-GU, SEOUL, KOREA 110-793
TEL (82) (2) 746-4526, 4529 FAX (82) (2) 746-7444-7445

Americas Operation : Hyundai Construction Equipment Americas, Inc.
6100 ATLANTIC BOULEVARD NORCROSS GA 30071 U.S.A TEL (1) 847-678-823-7802 FAX (1) 847-678-823-7778

Europe Operation : Hyundai Heavy Industries Europe N.V.
VOSSENDAAL 11, 2440 GEEL, BELGIUM TEL (32) 14-56-2200 FAX (32) 14-59-3405



PLEASE CONTACT

www.hyundai-ce.com

2014. 04 Rev. 0

HYUNDAI
HEAVY INDUSTRIES CO.,LTD.

Your satisfaction is our priority!

Hyundai introduces a new line of 9-series diesel forklift trucks.

The newly designed 4 wheel counterbalance trucks provide every operator comfortable driving, increased productivity and easy maintenance.

New Diesel Forklift with Proven Quality and Advanced Technology

- Maximum performance
- Spacious operator's cab
- 5.6 inch LCD color monitor
- Truck inclination warning system
- Load weight indicator (Optional)
- OPSS System for safe operation (Optional)
- Easy serviceability



*Some of the photos may include optional equipment.

High Efficiency & Optimal Performance

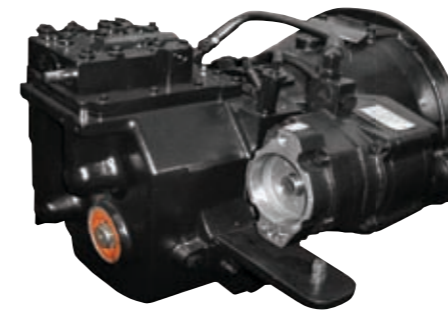


Powerful engine and high technology systems provide you with enhanced performance and highest productivity.

35/40/45D-9S
50D-9SA



*Some of the photos may include optional equipment.



Highly Durable Transmission

Powershift transmission of forward 2 stages and reverse 2 stages provides fast travel speed and quiet travel under any heavy load condition, and enhances work efficiency. The clutch protection system prevents excessive use of inching as well as minimizes change-impact.



Boosting Type Brake Valve

The boosting type brake valve is applied for strong braking performance.



Highly Durable Drive Axle

The strengthened drive axle separable from transmission ensures low vibration and easy maintenance. The wet disc type brake is applied for easy operation, smooth response and maintenance free.



Integrated Wheel Rim

The integrated wheel rim provides significantly increased service life.



Fully Hydrostatic Power Steering

The hydraulic steering system always guarantees smooth and flexible steering, preventing over-run and kick-back.



HYUNDAI D4DD Engine

70kW/2,300rpm

High Power Engine - HMC D4DD

Market approved quality of HMC D4DD engine ensures incomparable performance, durability and excellent fuel efficiency. This engine meets EPA Tier-III and EU stage IIIA emission regulations.



Travel Speed (MAX)

Model	km / h
35D-9S	27.6
40D-9S	26.7
45D-9S	26.7
50D-9SA	26.6

Gradeability (MAX)

Model	%
35D-9S	41.4
40D-9S	36.9
45D-9S	33.6
50D-9SA	30.7

Faster Travel Speed & Gradeability

The powerful high-output engine provides greater acceleration, better gradeability and faster travel speed on any tough terrain or slope.

Best Convenience & Optimized Ergonomics



The ergonomically designed cabin and the new style LCD color monitor provides full support and comfort to the operator.

35/40/45D-9S
50D-9SA



*Some of the photos may include optional equipment.

Spacious Operator Cabin

The newly designed cabin provides wide visibility and spacious environment, ensuring all day comfort for the operator.



Optimized Pedal Position

On the 9-series the pedals are mounted to the console to reduce operator fatigue, and noise and dust from the engine compartment.



Low Entrance Height

The low entrance height ensures easy and safe access for the operator.



Adjustable Steering Wheel

To achieve a comfortable drive position, the angle of the steering column can easily be adjusted by a lever on the right-hand side of the steering column.



KAB Seat (STD)

Easily adjustable suspension seat, based on a human engineering design, reduces operator fatigue and provides greater comfort.

*ELR (Energy Locking Retractor) Type Seat Belt

*Grammer Seat (OPT)

*Heating (OPT), Head-rest (OPT with Grammer Seat)

Advanced LCD Monitor

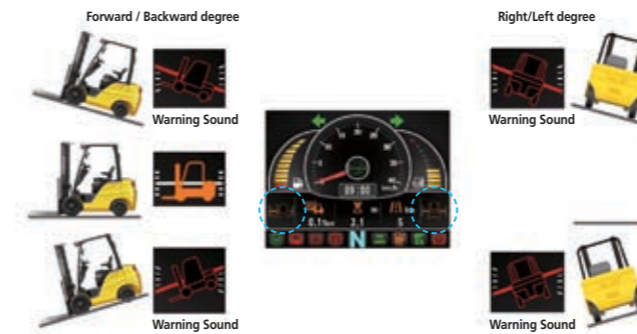
The 5.6 inch wide screen LCD color monitor allows the operator to control the machine with ease. The monitor features speed, travel direction, battery discharge indicator and hour meter.



Automatic Gear Box

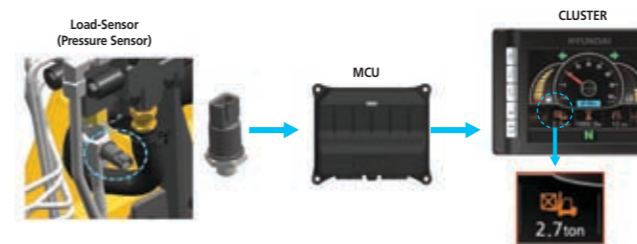
Automatic transmission is speed controlled:

- During acceleration when the speed reaches 7 km/h second gear is selected .
- When decelerating shift down to first speed is done at 5 km/h.



Truck Inclination Warning System

To improve the productivity and safety, the truck inclination warning system will monitor and indicate forward/backward, right/left degree of the forklift. The alarm alerts the operator when the forklift degree is over the ISO standard.



Load Weight Indication System (Optional)

The optional load indicator displays the load weight on the monitor. The load sensor reduces the time to check loaded weight and the alarm alerts the driver when overloaded.

Advanced Safety



The safely designed driver's space makes your operating more comfortable.

35/40/45D-9S
50D-9SA



Excellent Visibility for Safe Operation

Optimized lift cylinder arrangement provides operator with wider visibility. The panoramic mirror expands the driver's view when backing up.

*Some of the photos may include optional equipment.



Strong Overhead Guard

Exceeding CEE and ANSI regulations, the overhead guard offers optimal protection combined with excellent all round visibility.



Steel Side Cover

The strengthened steel side cover provides enhanced durability.



Fork Safety Features

When the forks are being lowered, a down-control valve maintains the controlled speed. The down-safety valve prevents forks from dropping down in case of sudden damage of hydraulic line.

OPSS (Operator Presence Sensing System)

All mast and drive movements stop functioning when the operator is not in the seat.

Lift Lock **Tilt Lock** **Drive Lock**

*Some of the photos may include optional equipment.



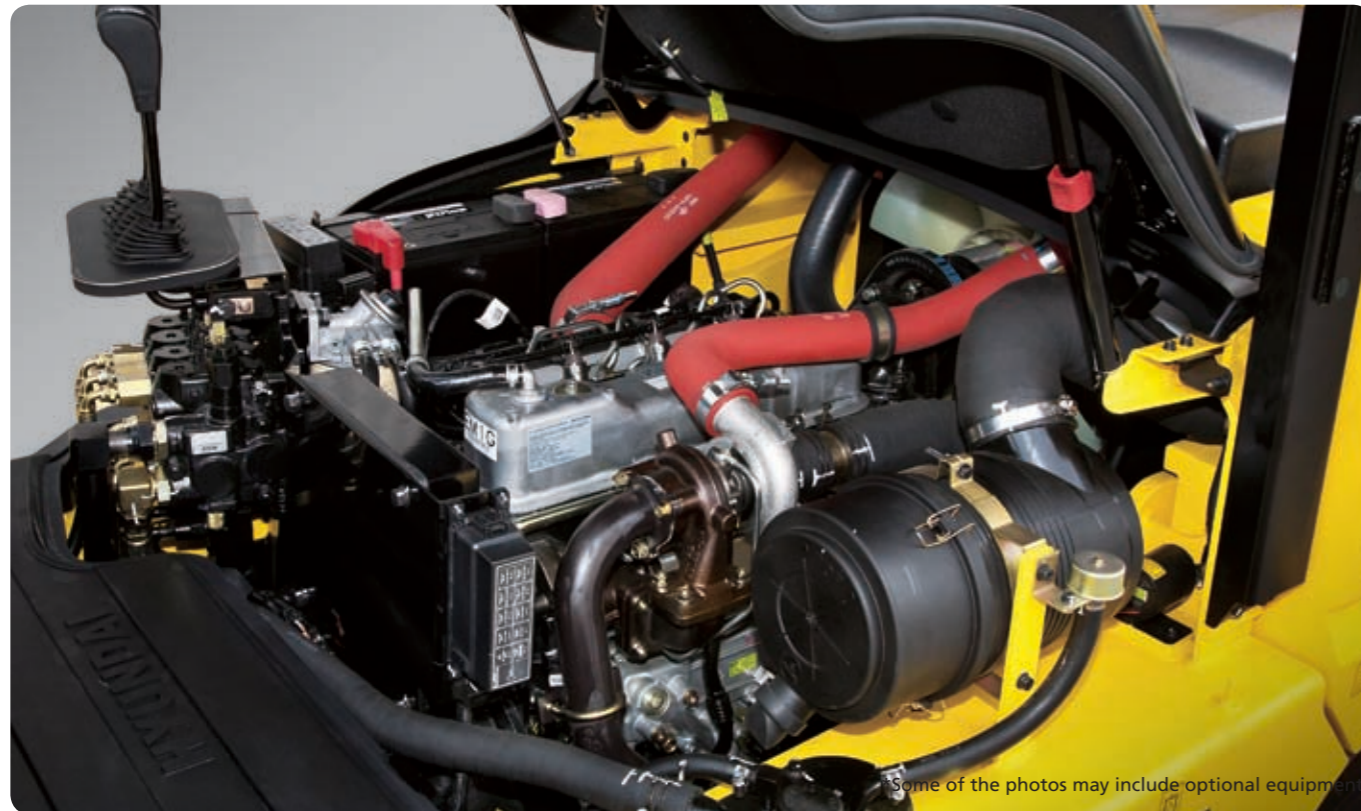
Safety Lamps & Rear Reflectors

Halogen headlights and rear LED combination lights offer the driver visibility in all circumstances. Rear reflectors mounted on the counterweight enhance safety for the driver and the application.

Fast and Easy Maintenance

An ideal arrangement of components ensures easy access and convenience for maintenance.

35/40/45D-9S
50D-9SA



Some of the photos may include optional equipment.

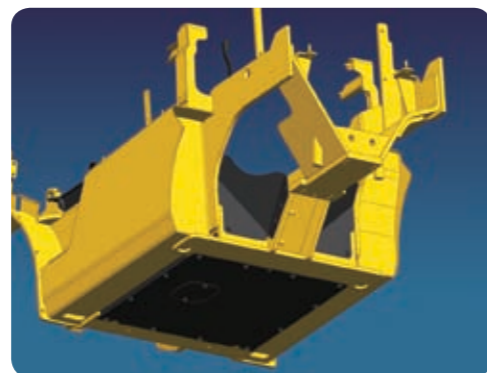
Large Engine Hood

Highly accessible engine compartment assures fast and efficient maintenance. The enlarged air cleaner(8") has extended service time of engine.



Waterproof & Dustproof Cover

Newly developed Waterproof and Dustproof fuse box and relay box for ease of maintenance.



Rear Tire Cover

The rear tire cover is well-suited to prevent clogging of the radiator from foreign substances.



Rear View Camera (Optional)

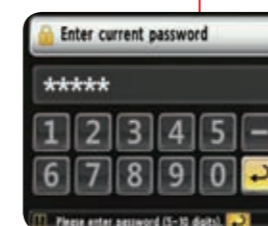


Emergency Switch

*Some of the photos may include optional equipment.



Maintenance Management Display



Password Starting System (Anti-theft system)



Fuel Cap with Key

New 9 Series

35/40/45D-9S 50D-9SA

Mast Specification (35D-9S)

Mast Type	Maximum Fork Height	Overall Height (Lowered)		Free Lift Height		Tilt Angle		Load Capacity without side shift at (600mm LC)		Load Capacity with side shift at (600mm LC)		Truck Weight (Unloaded)		
		Single Tire	Double Tire	With Load Backrest	Without Load Backrest	Fwd	Bwd	Single Tire	Double Tire	Single Tire	Double Tire	Single Tire	Double Tire	
		(mm)	(mm)	(mm)	(mm)	(deg)	(deg)	(kg)	(kg)	(kg)	(kg)	(kg)	(kg)	
2-Stage Limited free lift	V270	2720	2085	2070	120	120	8	10	3500	3500	3500	3500	5862	6017
	* V300	3020	2235	2220	120	120	8	10	3500	3500	3500	3500	5892	6047
	V330	3320	2385	2370	120	120	8	10	3500	3500	3500	3500	5930	6085
	V350	3520	2535	2520	120	120	8	10	3500	3500	3500	3500	5953	6108
	V370	3720	2635	2620	120	120	8	10	3500	3500	3500	3500	5973	6128
	V400	4020	2845	2830	120	120	8	10	3500	3500	3500	3500	6016	6170
	V450	4520	3095	3080	120	120	8	6	3500	3500	3350	3350	6128	6283
2-Stage full free lift	V500	5020	3345	3330	120	120	8	6	3500	3500	3250	3250	6179	6334
	VF280	2805	2135	2120	931	1258	8	8	3500	3500	3500	3500	5903	6055
	VF300	3005	2235	2220	1031	1358	8	8	3500	3500	3500	3500	5929	6081
3-Stage full free lift	VF315	3155	2325	2310	1121	1448	8	8	3500	3500	3500	3500	5949	6101
	TF/TS370	3730	2035	2020	822	1149	8	8	3500	3500	3450	3500	6119	6274
	TF/TS400	4030	2135	2120	922	1249	8	8	3500	3500	3400	3400	6149	6304
	TF/TS430	4330	2235	2220	1022	1349	8	8	3500	3500	3300	3350	6180	6335
	TF/TS450	4510	2295	2290	1082	1409	8	8	3500	3500	3300	3300	6199	6354
	TF/TS470	4720	2385	2390	1172	1499	8	8	3500	3500	3250	3250	6235	6390
	TF/TS500	5020	2485	2470	1272	1599	8	6	3400	3400	3150	3200	6258	6413
	TF/TS550	5520	2665	2650	1452	1779	8	6	3300	3300	2900	3100	6320	6474
	TF/TS600	6030	2845	2830	1632	1959	8	6	3200	3200	2500	3000	6388	6543
	TF/TS650	6540	3025	3010	1812	2139	8	6	3100	3100	2100	2900	6430	6584

Mast Specification (45D-9S)

Mast Type	Maximum Fork Height	Overall Height (Lowered)		Free Lift Height		Tilt Angle		Load Capacity without side shift at (600mm LC)		Load Capacity with side shift at (600mm LC)		Truck Weight (Unloaded)		
		Single Tire	Double Tire	With Load Backrest	Without Load Backrest	Fwd	Bwd	Single Tire	Double Tire	Single Tire	Double Tire	Single Tire	Double Tire	
		(mm)	(mm)	(mm)	(mm)	(deg)	(deg)	(kg)	(kg)	(kg)	(kg)	(kg)	(kg)	
2-Stage Limited free lift	V270	2720	2085	2070	120	120	8	10	4500	4500	4500	4500	6719	6828
	* V300	3020	2235	2220	120	120	8	10	4500	4500	4500	4500	6749	6858
	V330	3320	2385	2370	120	120	8	10	4500	4500	4500	4500	6787	6895
	V350	3520	2535	2520	120	120	8	10	4500	4500	4500	4500	6810	6919
	V370	3720	2635	2620	120	120	8	10	4500	4500	4500	4500	6830	6939
	V400	4020	2845	2830	120	120	8	10	4500	4500	4450	4500	6872	6981
	V450	4520	3095	3080	120	120	8	6	4500	4500	4300	4350	6985	7094
2-Stage full free lift	V500	5020	3345	3330	120	120	8	6	4400	4400	4200	4200	7036	7145
	VF280	2805	2135	2120	853	1442	8	8	4500	4500	4500	4500	6755	6864
	VF300	3005	2235	2220	953	1542	8	8	4500	4500	4500	4500	6781	6890
3-Stage full free lift	VF315	3155	2325	2310	1043	1602	8	8	4500	4500	4500	4500	6800	6909
	TF/TS370	3730	2035	2020	796	1114	8	8	4500	4500	4400	4450	6976	7087
	TF/TS400	4030	2135	2120	896	1214	8	8	4500	4500	4350	4350	7006	7117
	TF/TS430	4330	2235	2220	996	1314	8	8	4500	4500	4250	4250	7037	7148
	TF/TS450	4510	2295	2290	1056	1374	8	8	4500	4500	4200	4250	7056	7167
	TF/TS470	4720	2385	2390	1145	1484	8	8	4400	4500	4150	4150	7092	7203
	TF/TS500	5020	2485	2470	1246	1564	8	6	4300	4400	4050	4100	7115	7227
	TF/TS550	5520	2665	2650	1426	1744	8	6	4200	4300	3950	3950	7176	7288
	TF/TS600	6030	2845	2830	1606	1924	8	6	4100	4200	3300	3850	7245	7356
	TF/TS650	6540	3025	3010	1786	2104	8	6	4000	4100	3300	3750	7286	7398

Mast Specification (40D-9S)

Mast Type	Maximum Fork Height	Overall Height (Lowered)		Free Lift Height		Tilt Angle		Load Capacity without side shift at (600mm LC)		Load Capacity with side shift at (600mm LC)		Truck Weight (Unloaded)		
		Single Tire	Double Tire	With Load Backrest	Without Load Backrest	Fwd	Bwd	Single Tire	Double Tire	Single Tire	Double Tire	Single Tire	Double Tire	
		(mm)	(mm)	(mm)	(mm)	(deg)	(deg)	(kg)	(kg)	(kg)	(kg)	(kg)	(kg)	
2-Stage Limited free lift	V270	2720	2085	2070	120	120	8	10	4000	4000	4000	4000	6301	6407
	* V300	3020	2235	2220	120	120	8	10	4000	4000	4000	4000	6331	6437
	V330	3320	2385	2370	120	120	8	10	4000	4000	4000	4000	6369	6475
	V350	3520	2535	2520	120	120	8	10	4000	4000	4000	4000	6392	6498
	V370	3720	2635	2620	120	120	8	10	4000	4000	4000	4000	6412	6518
	V400	4020	2845	2830	120	120	8	10	4000	4000	3900	3900	6454	6561
	V450	4520	3095	3080	120	120	8	6	4000	4000	3800	3750	6567	6673
2-Stage full free lift	V500	5020	3345	3330	120	120	8	6	3900	4000	3650	3700	6618	6724
	VF280	2805	2135	2120	916	1243	8	8	4000	4000	4000	4000	6342	6445
	VF300	3005	2235	2220	1016	1343	8	8	4000	4000	4000	4000	6368	6471
3-Stage full free lift	VF315	3155	2325	2310	1106	1433	8	8	4000	4000	4000	4000	6387	6490
	TF/TS370	3730	2035	2020	807	1134	8	8	4000	4000	3950	3900	6558	6629
	TF/TS400	4030	2135	2120	907	1234	8	8	4000	4000	3850	3850	6588	6659
	TF/TS430	4330	2235	2220	1007	1334	8	8	4000	4000	3800	3750	6619	6690
	TF/TS450	4510	2295	2290	1067	1394	8	8	4000	4000	3800	3750	6638	6709
	TF/TS470	4720	2385	2390	1157	1484	8	8	4000	4000	3700	3750	6674	6745
	TF/TS500	5020	2485	2470	1257	1584	8	6	3900	3900	3600	3600	6697	6768
	TF/TS550	5520	2665	2650	1437	1764	8	6	3800	3800	3400	3500	6758	6829
	TF/TS600	6030	2845	2830	1617	1944	8	6	3700	3700	3000	3400	6827	6898
	TF/TS650	6540	3025	3010	1797	2124	8	6	3600	3600	2600	3300	6868	6939

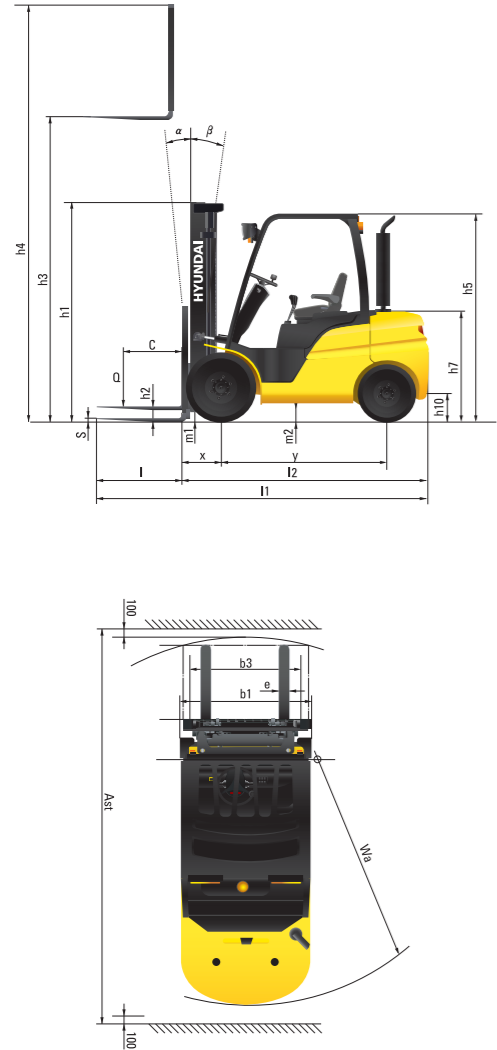
Mast Specification (50D-9SA)

Mast Type	Maximum Fork Height	Overall Height (Lowered)		Free Lift Height		Tilt Angle		Load Capacity without side shift at (600mm LC)		Load Capacity with side shift at (600mm LC)		Truck Weight (Unloaded)		
		Single Tire	Double Tire	With Load Backrest	Without Load Backrest	Fwd	Bwd	Single Tire	Double Tire	Single Tire	Double Tire	Single Tire	Double Tire	
		(mm)	(mm)	(mm)	(mm)	(deg)	(deg)	(kg)	(kg)	(kg)	(kg)	(kg)	(kg)	
2-Stage Limited free lift	V260	2630	2085	2070	120	120	8	10	5000	5000	5000	5000	7188	7290
	* V290	2930	2235	2220	120	120	8	10	5000	5000	5000	5000	7213	7329
	V320	3230	2385	2370	120	120	8	10	5000	5000	5000	5000	7238	7340
	V340	3430	2535	2520	120	120	8	10	5000	5000	4950	4950	7263	7365
	V360	3630	2635	2620	120	120	8	10	5000	5000	4900	4900	7279	7381
	V390	3930	2845	2830	120	120	8	10	5000	5000	4800	4800	7315	7417
	V440	4430	3095	3080	120	120	8	6	4900	5000	4650	4650	7418	7520
2-Stage full free lift	V490	4930	3345	3330	120	120	8	6	4800	4900	4500	4500	7460	7562
	VF270	2702	2135	2120	905	1223	8	8	5000	5000	4700	4750	7247	7308
	VF290	2902	2235	2220	1005	1323	8	8	4900	5000	4650	4700	7272	7333
3-Stage full free lift	VF305	3052	2325	2310	1095	1413	8	8	4800	5000	4550	4600	7290	7351
	TF/TS360	3672	2035	2020	807	1074	8	8	5000	5000	4700	4800	7431	7484
	TF/TS390	3972	2135	2120	907	1174	8	8	5000	5000	4650	4700	7458	7510
	TF/TS420	4272	2235	2220	1007	1274	8	8	4900	5000	4550	4650	7482	753

New 9 Series

35/40/45D-9S 50D-9SA

Dimension

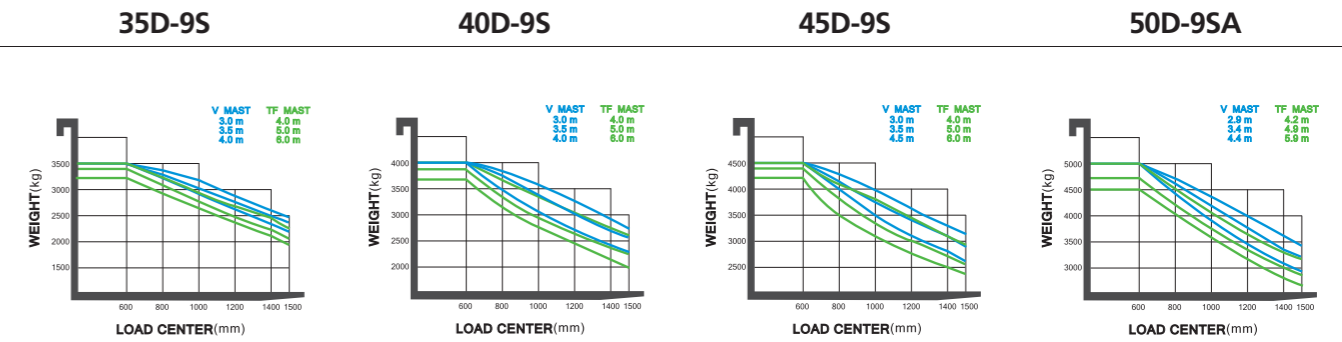


Specification

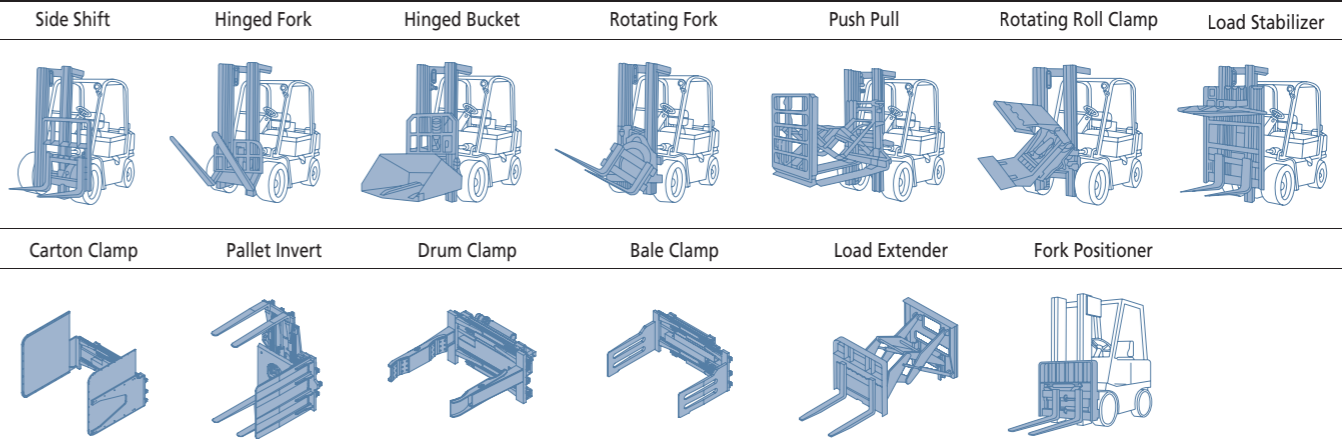
Identification					
1.1	Manufacturer	Hyundai	Hyundai	Hyundai	Hyundai
1.2	Manufacturer's type designation	35D-9S	40D-9S	45D-9S	50D-9SA
1.3	Drive: electric (battery or mains), diesel, petrol, fuel gas, manual	DIESEL	DIESEL	DIESEL	DIESEL
1.4	Type of operation: hand, pedestrian, standing, seated, order-picker	seated	seated	seated	seated
1.5	Load capacity / rated load	kg 3,500	4,000	4,500	5,000
1.6	Load center distance	c mm 600	600	600	600
1.8	Load distance, center of drive axle to fork	x mm 561	561	561	576
1.9	Wheelbase	y mm 2,000	2,000	2,000	2,000
Weights					
2.1	Service weight	kg 5,892	6,437	6,858	7,329
2.2	Axle loading, loaded front/rear	kg 8,295 / 1,097	9,212 / 1,225	9,998 / 1,360	10,831 / 1,498
2.3	Axle loading, unloaded front/rear	kg 2,765 / 3,127	2,892 / 3,545	2,888 / 3,970	2,931 / 4,398
Wheels, Chassis					
3.1	Tires: solid rubber, superelastic, pneumatic, polyurethane	pneumatic	pneumatic	pneumatic	pneumatic
3.2	Tires size, front	8.25-15x14PR	7.50-16x12PR	7.50-16x12PR	7.50-16x12PR
3.3	Tires size, rear	7.00-12x12PR	7.00-12x12PR	7.00-12x14PR	7.00-12x14PR
3.5	Wheels, number front x rear (x=driven wheels)	2 x 2	4 x 2	4 x 2	4 x 2
3.6	Track width, front	mm 1,132	1,282	1,282	1,282
3.7	Track width, rear	mm 1,140	1,140	1,140	1,140
Basic Dimensions					
4.1	Mast / fork carriage tilt forward / backward (α / β)	degrees 8 / 10	8 / 10	8 / 10	8 / 10
4.2	Lowered mast height	h1 (mm) 2,235	2,220	2,220	2,220
4.3	Free lift	h2 (mm) 120	120	120	120
4.4	Lift height	h3 (mm) 3,020	3,020	3,020	2,930
4.5	Extended mast height	h4 (mm) 4,234	4,234	4,234	4,234
4.7	Overhead load guard (cab) height	h5 (mm) 2,208	2,208	2,208	2,208
4.8	Seat height / standing height	h7 (mm) 1,070	1,070	1,070	1,070
4.12	Coupling height	h10 (mm) 364	364	364	364
4.19	Overall length	l1 (mm) 4,180	4,235	4,455	4,500
4.20	Length to face of forks	l2 (mm) 3,110	3,165	3,235	3,300
4.21	Overall width	b1 (mm) 1,370	1,740	1,740	1,740
4.22	Fork dimensions (hook type)	ℓ / e / s (mm) 1,070 x 122 x 50	1,070 x 150 x 50	1,220 x 150 x 50	1,200 x 150 x 60
4.23	Fork carriage ISO 2328, class / type A,B	III / A	III / A	IV / A	IV / A
4.24	Fork-carriage width	b3 (mm) 1,300	1,600	1,600	1,600
4.31	Ground clearance, loaded, under mast	m1 (mm) 170	155	155	155
4.32	Ground clearance, centre of wheelbase	m2 (mm) 215	205	205	200
4.33	Aisle width for pallets 1,000x1,200 crossways (LxW)	Ast (mm) 4,629	4,676	4,726	4,771
4.34	Aisle width for pallets 800x1,200 lengthways (WxL)	Ast (mm) 4,829	4,876	4,926	4,971
4.35	Turning radius	Wa (mm) 2,868	2,915	2,965	3,010
4.36	Smallest pivot point distance	1,009	1,009	1,009	1,009
Performance Data					
5.1	Travel speed, unloaded	km/h 27.6	26.7	26.7	26.6
5.2	Lift speed, loaded/ unloaded	mm/s 550 / 570	540 / 570	530 / 570	460 / 490
5.3	Lowering speed, loaded/unloaded	mm/s 500 / 500	500 / 500	500 / 500	500 / 500
5.5	Drawbar pull, loaded	kg 3,997	4,018	4,023	4,031
5.7	Gradient performance, loaded	% 41.4	36.9	33.6	30.7
5.9	Acceleration time, loaded/ unloaded(10m)	sec -	-	-	-
5.10	Service brake	hydraulic	hydraulic	hydraulic	hydraulic
Engine					
6.1	Engine manufacturer / type	HMC D4DD	HMC D4DD	HMC D4DD	HMC D4DD
6.2	Engine power acc. to ISO 1585	kW/rpm 70 / 2,300	70 / 2,300	70 / 2,300	70 / 2,300
6.3	Maximum Torque	kgf.m/rpm 35 / 1,600	35 / 1,600	35 / 1,600	35 / 1,600
6.4	No. of cylinder / cubic capacity	anz/cm2 4 / 3,907	4 / 3,907	4 / 3,907	4 / 3,907
Other Details					
8.1	Type of drive control	Power shift 2/2	Power shift 2/2	Power shift 2/2	Power shift 2/2
8.2	Operating pressure (system / attach)	kgf/cm ² 210 / 150	210 / 150	210 / 150	210 / 150
8.3	Oil volume for attachment	ℓ 66	66	66	66
8.4	Sound level at driver's ear according to DIN 12 053	db(A) 82	82	82	82

*Specifications and designs are subject to change without advance notice.

Load Capacity



Various Attachments



Optional Items

- Fork(mm)
 - 35/40D-9S : 1220, 1370, 1520, 1670, 1820, 1970
 - 45D-9S : 1070, 1370, 1520, 1670, 1820, 1970
 - 50D-9SA : 1350, 1500, 1800, 2000, 2400
- Overshoe(mm)
 - 1600, 1800, 2000, 2200
- Integral Sideshift
- Tire : Pneumatic(STD)/ Solid / Non-marking/
 - Double Tire(Front tire) 35D-9S : 7.50-16-12
 - Single Tire(Front tire) 40D-9S/45D-9S/50D-9SA : 300-15-18
- Seat : Grammer
- M.C.V : 2-Spool(STD), 3-Spool, 4-Spool, 5-Spool
- Load Indicator
- Beacon Lamp
- Work Lamp
- OPSS : Travel + Mast
- Cabin (Heater & Air Conditioner)
- Rear View Camera
- High OHG (2,340mm)
- 45D-9S : Class III Fork Carriage